

AW-XM553

**IEEE 802.11 1X1 WiFi 6 Wireless LAN+
Bluetooth 5.2**

12mm x 12mm LGA module

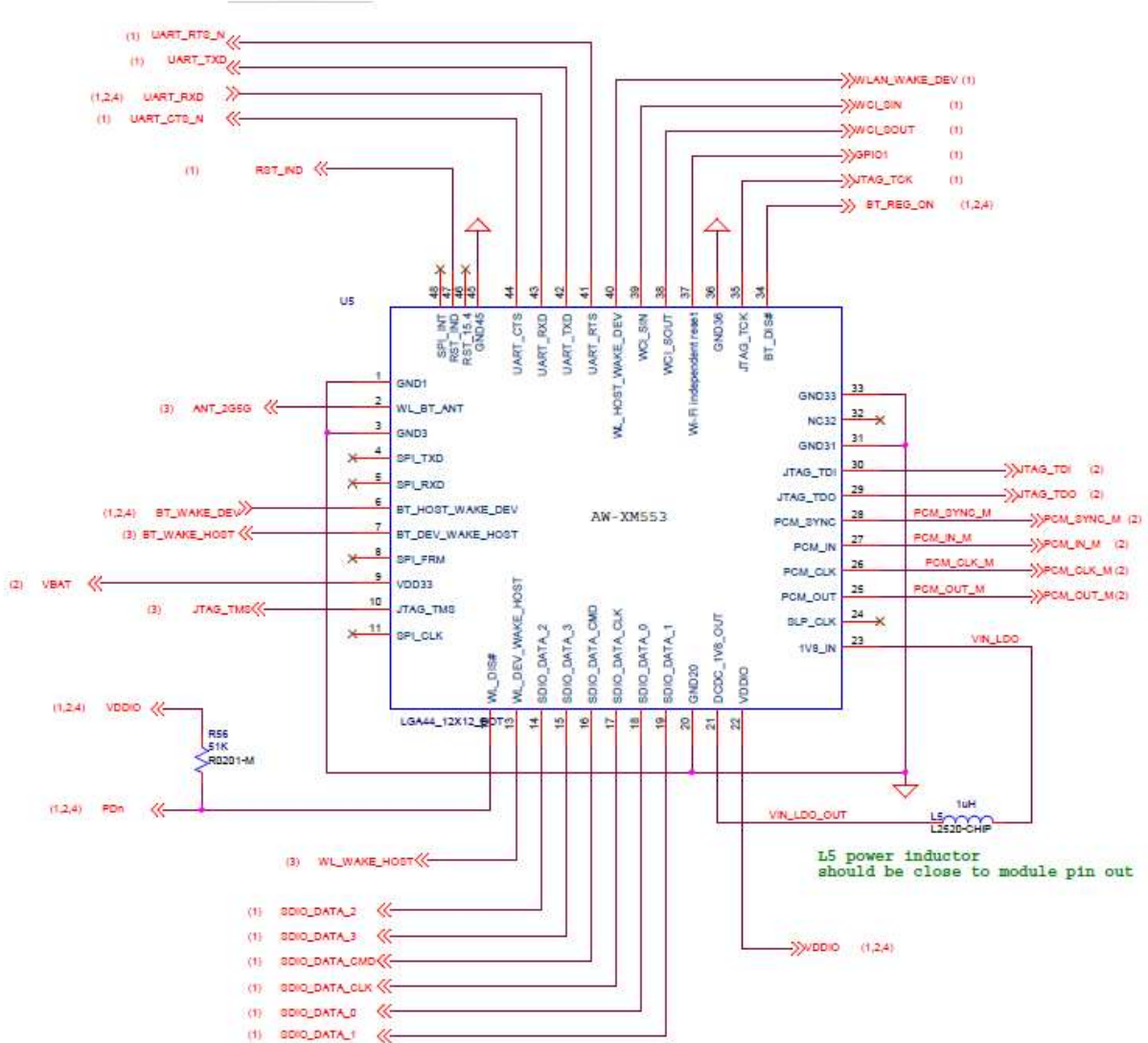
Reference Design Guide

Rev. 02

(For Standard)

Revision History

Version	Revision Date	Description	Initials	Approved
01	2021/08/11	● Initial Version	Roger Liu	NC Chen
02	2022/03/28	● Modify module pin out ● Modify PDn pin to pull up	Roger Liu	NC Chen



* PDn need to pull-up to 1.8V/3.3V by 51K resistor

Recommended Inductor for L5

Type	Nominal Inductance	Saturation Current and DC Resistance	Dimensions(mm)	Vendor
WPN252012E1R0MT	1uH±20%	Max Isat=4.5A / DCR=44mΩ	2.5x2.0x1.2	Sunlord

